

4

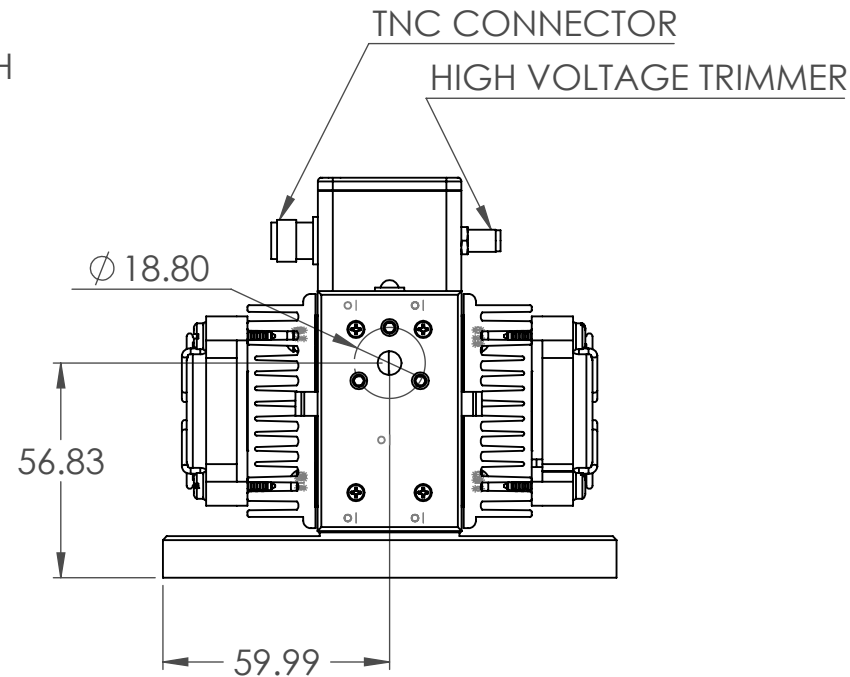
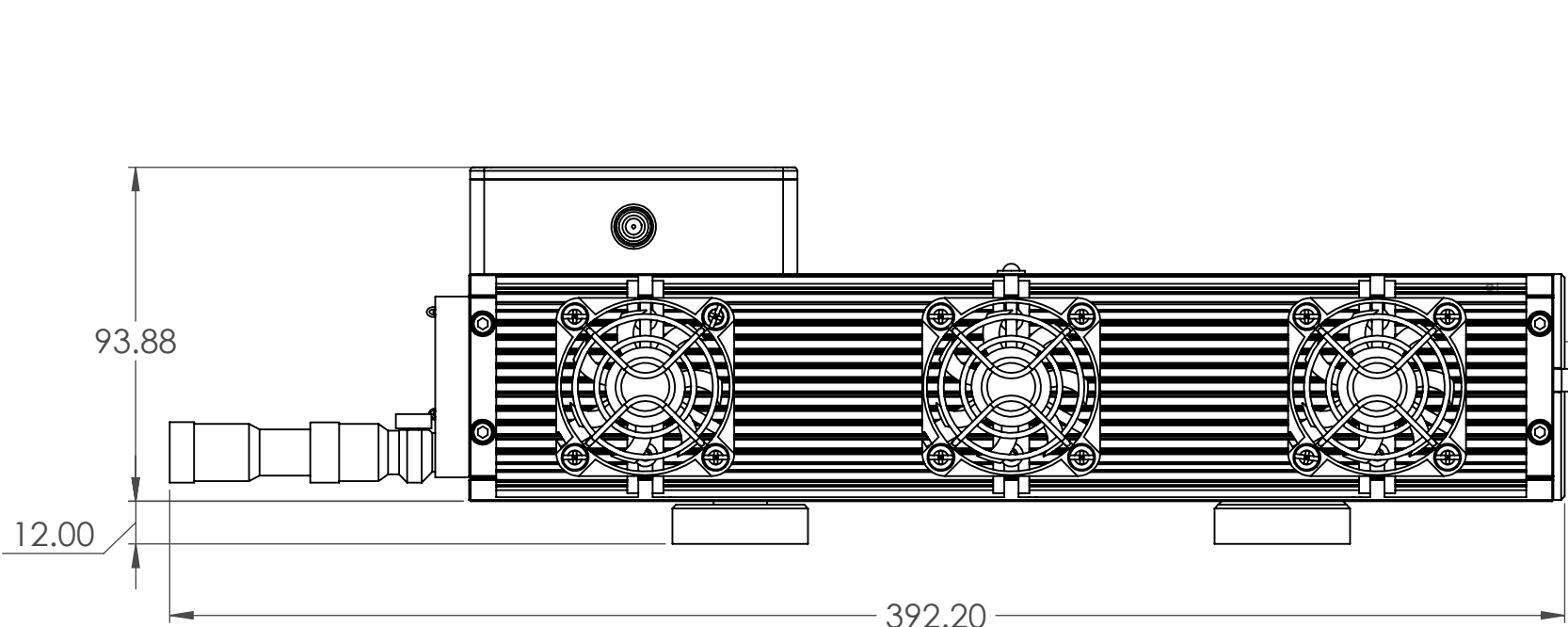
3

2

1

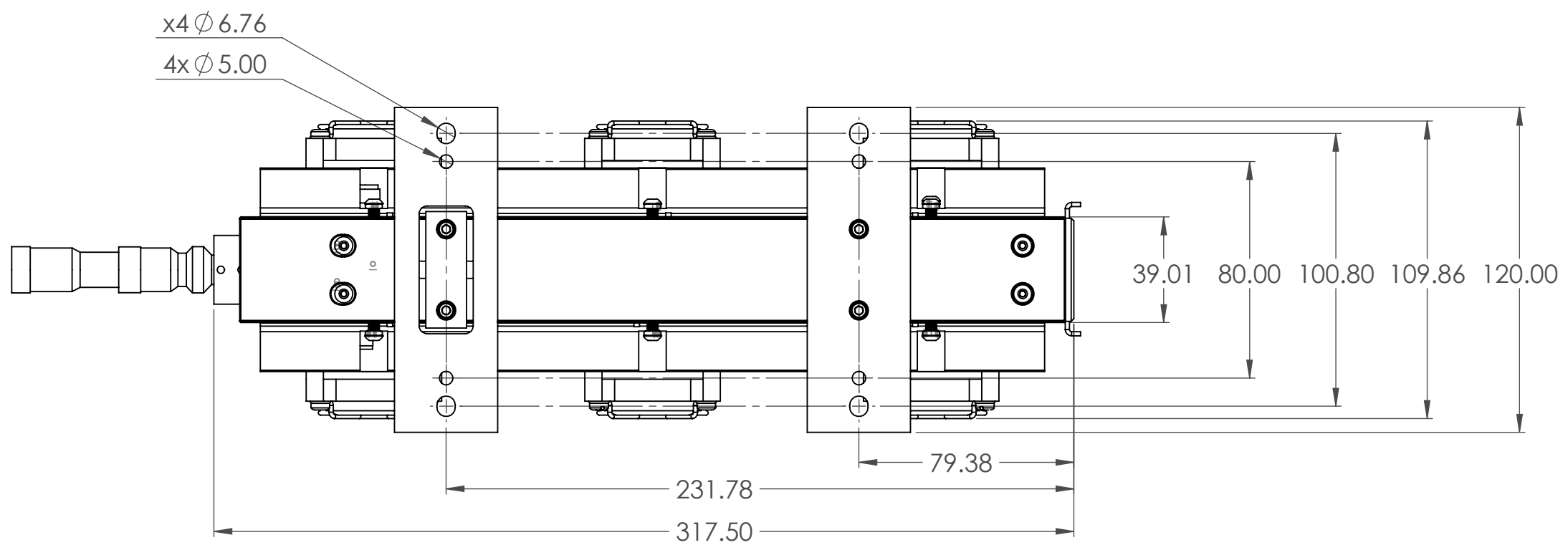
REVISION HISTORY					
ECO	ZONE	REV	DESCRIPTION	DATE	APPROVED
		A.01			

B



B

A



A

ACCESS LASER TRUMPF
Member of the TRUMPF Group

Phone: 425-582-8674
Fax: 425-582-8679
www.accesslaser.com/
purchasing@accesslaser.com

PROPRIETARY AND CONFIDENTIAL

THE INFORMATION CONTAINED IN THIS DRAWING IS THE SOLE PROPERTY OF ACCESS LASER COMPANY. ANY REPRODUCTION IN PART OR AS A WHOLE WITHOUT THE WRITTEN PERMISSION OF ACCESS LASER COMPANY IS PROHIBITED.

TOLERANCE / UNIT		ASME Y14.5-2009	
ISO 2768	METRIC	FRACTIONAL	INCHES
0.5 UP TO 6 :	±0.1	.x	± .1
< 6 UP TO 30 :	±0.2	.xx	± .01
< 30 UP TO 120 :	±0.3	.xxx	± .005
< 120 UP TO 400 :	±0.5		
< 400 UP TO 1000 :	±0.8		
ANGULAR: MACH	±0°20'		

DRAWN BY	AD
CHECKED BY	
APPROVED BY	
FINISH	
MATERIAL	

THIRD ANGLE PROJECTION	
SURFACE FINISH	

PART NO.		REV	
DESCRIPTION:	L4GS Laser, FCCL 12V		
DRAWING SHALL BE IN ACCORDANCE WITH ASME Y14.5-2009		DO NOT SCALE DRAWING	SCALE 1:2
		SHEET 1 OF 1	SIZE B

4

3

2

1