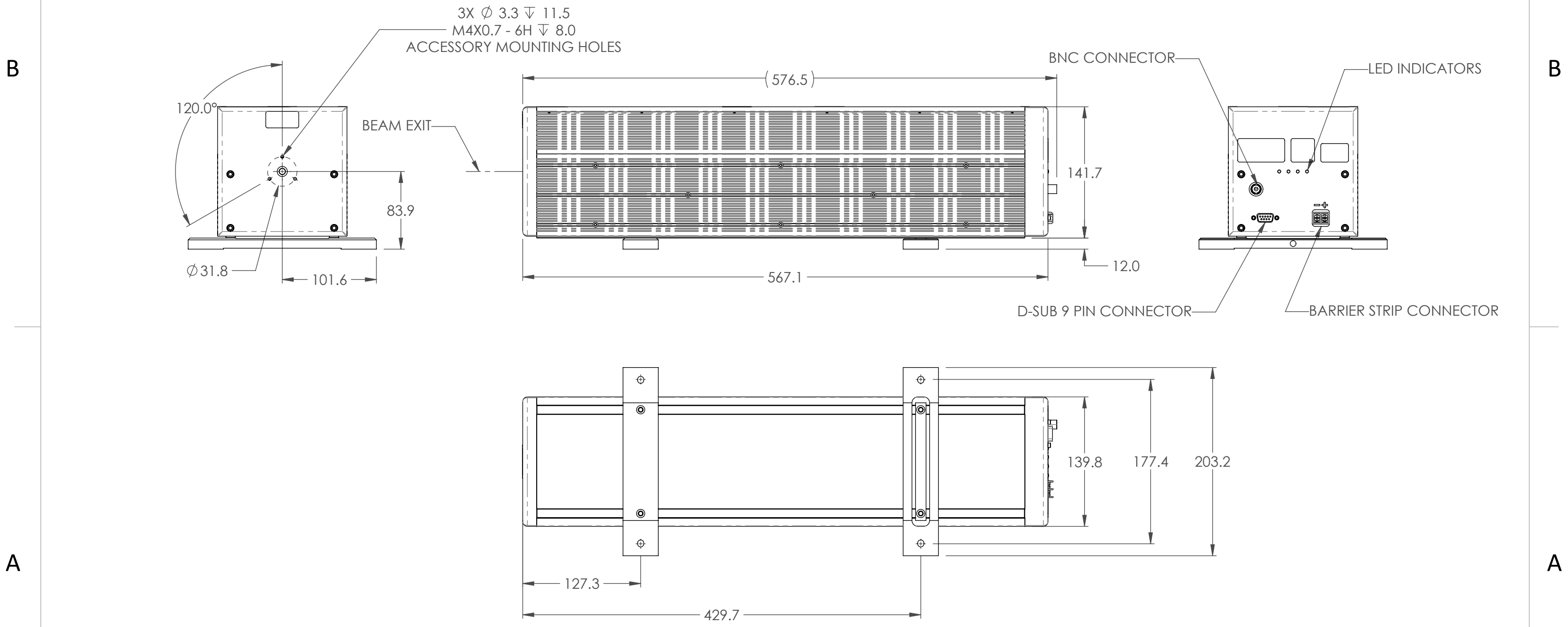


REVISION HISTORY					
ECO	ZONE	REV	DESCRIPTION	DATE	APPROVED
967		A	INITIAL RELEASE	9/25/2020	AD

NOTES UNLESS OTHERWISE SPECIFIED:
 1. DRAWING IS FOR REFERENCE ONLY



ACCESS LASER TRUMPF
 Member of the TRUMPF Group

Phone: 425-582-8674
 Fax: 425-582-8679
 www.accesslaser.com/
 purchasing@accesslaser.com

PROPRIETARY AND CONFIDENTIAL

THE INFORMATION CONTAINED IN THIS DRAWING IS THE SOLE PROPERTY OF ACCESS LASER COMPANY. ANY REPRODUCTION IN PART OR AS A WHOLE WITHOUT THE WRITTEN PERMISSION OF ACCESS LASER COMPANY IS PROHIBITED.

TOLERANCE / UNIT	
ISO 2768	ASME Y14.5-2009
METRIC	INCHES
0.5 UP TO 6 : ±0.1	.x ± .1
< 6 UP TO 30 : ±0.2	.xx ± .01
< 30 UP TO 120 : ±0.3	.xxx ± .005
< 120 UP TO 400 : ±0.5	
< 400 UP TO 1000 : ±0.8	
ANGULAR: MACH ±0°20'	FRACTIONAL ±1/64 BEND: ±.3 ANGULAR: MACH ±0°5'

DRAWN BY	AD	9/25/2020
CHECKED BY	CD	9/25/2020
APPROVED BY	SW	9/25/2020
FINISH		
MATERIAL		

THIRD ANGLE PROJECTION

SURFACE FINISH

PART NO.	898-16015-000	REV	A
DESCRIPTION:	DL500 Laser, Integrated RF, AC 48V OEM		
DRAWING SHALL BE IN ACCORDANCE WITH ASME Y14.5-2009		DO NOT SCALE DRAWING	SCALE 1:4
		SHEET 1 OF 1	SIZE B

4

3

2

1

A

A

B

B